

NETBOX MEB



Built-in Socket NETBOX MEB

Numerous applications require a space-saving and inexpensive socket outlet combination.

The plug-in connection system significantly reduces the installation cost. The **NETBOX MEB** is available in 2-, 3- and 4- unit version. It requires an installation depth of only 30mm and is ready for use with a mounted starter or connection cable.

The space-saving design and a selection of over 250 **NETMODULES** make it a multi-talent.

Colours



gr bk wh

Frame / Module unit

bk

Housing

Mounting



Screw

Material



Frame: Plastic

Module unit: Plastic

Application



Office



Shop & Exhibition



Conference

Approvals | Certificates



Suitable accessories



Starter cable



Connection cable

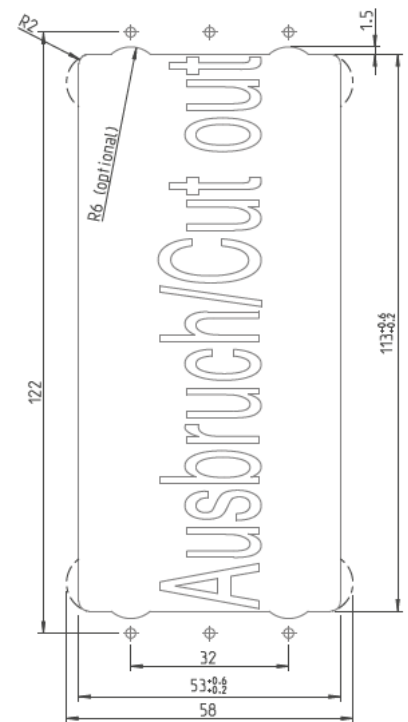
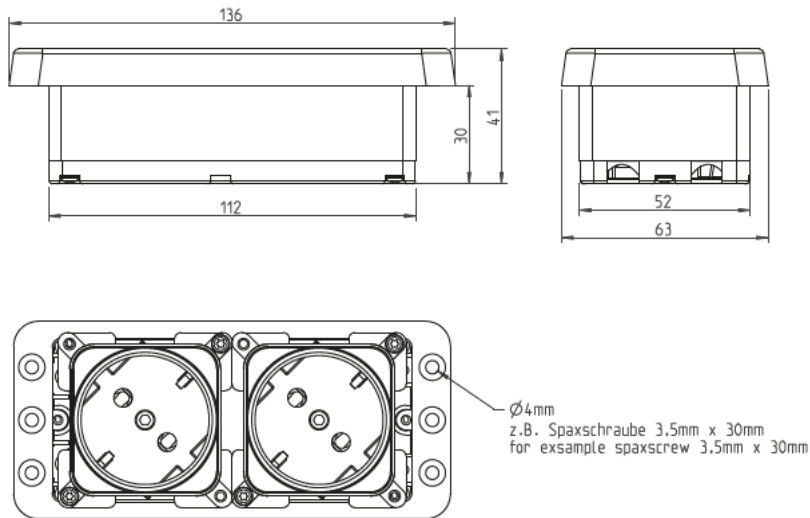


Light Terminal Box VR



All available
Videos

Dimensions



Further information



3D data (STP)*



Dimensions (PDF)*



NETBOX MEB



Product request



pCon.update

Overview

	Aluminium	Plastic	Number of modules	Power modules	Data modules	Gender changer	Cover lockable	USB-charger	Cat 7-capable	Power forwarding possible (1) u. (2)
NETBOX Axial Comfort	●		2 - 6	●	●	●	●	●	●	● ⁽²⁾
NETBOX Combi II	●		4	●	●	●	●	●	●	● ⁽¹⁾
NETBOX Entry	Steel		4 o. 6	●	●	●	●	●	●	
NETBOX MEB		●	2 - 4	●	●	●		●	●	●
NETBOX Spot		●	1	●	Spot Data	Spot Data		●		
NETBOX Style	●		2 - 6	●	●	●		●	●	●
NETBOX Turn Comfort	●		2 - 6	●	●		●	●	●	● ⁽²⁾

1) Power forwarding is only possible if NO gender changer, USB, network or HDMI cables are fitted.

2) Power forwarding is only possible if NO gender changer, USB or HDMI cables are fitted.

A. & H. MEYER GmbH
Leuchten und Büroelektrik
Fermke 8
32694 Dörentrup
Germany

tel: +49 5265 9488-0
fax: +49 5265 9488-11
info@ah-meyer.de

* on request

Follow us:      