

# NETBOX Axial II Comfort



## Built-in Socket NETBOX Axial II Comfort

The **NETBOX Axial II Comfort** built-in socket outlet will have a more elegant design thanks to the facelift. All surfaces have been redesigned to achieve a more harmonious appearance than its predecessor.

The **NETBOX Axial II Comfort** will fit into the cut-out size of its predecessor, making it an enrichment for any office workstation.

The **NETBOX Axial II** is available as a **Comfort** version.

### Colours



sil

Mounting frame

bk

Module unit

### Mounting



Latching mechanism

Panel thickness: 10-45 mm

### Material



Mounting frame:  
Aluminium / Plastic

Module unit: Plastic

### Application



Office



Hotel & Lounge



Conference

### Approvals | Certificates



### Suitable accessories



USB cable



Starter cable



Connection cable

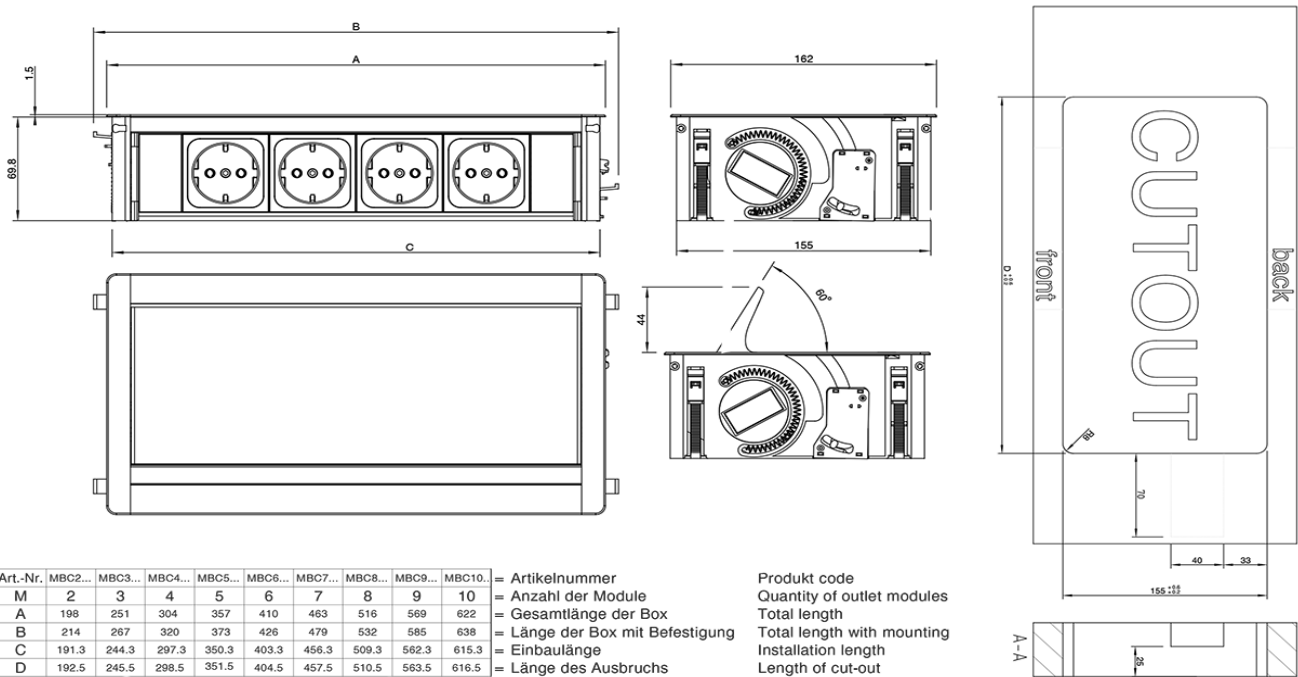


Network cable



All available  
Videos

## Dimensions



## Further information



3D data (STP)\*



Dimensions (PDF)\*



NETBOX Axial II Comfort



Product request



pCon.update

## Overview

	Aluminium	Plastic	Number of modules	Power modules	Data modules	Gender changer	Cover lockable	USB-charger	Cat 7-capable	Power forwarding possible (1) u. (2)
NETBOX Axial II Conf.	●		2 - 6	●	●	●	●	●		● <sup>(2)</sup>
NETBOX Combi II	●		4	●	●	●	●	●	●	● <sup>(1)</sup>
NETBOX Entry	Steel		4 o. 6	●	●	●	●	●	●	
NETBOX MEB		●	2 - 4	●	●	●		●	●	●
NETBOX Spot		●	1	●	Spot Data	Spot Data		●		
NETBOX Style	●		2 - 6	●	●	●		●	●	●
NETBOX Turn Comfort	●		2 - 6	●	●		●	●	●	● <sup>(2)</sup>

1) Power forwarding is only possible if NO gender changer, USB, network or HDMI cables are fitted.

2) Power forwarding is only possible if NO gender changer, USB or HDMI cables are fitted.

A. & H. MEYER GmbH  
Leuchten und Büroelektrik  
Fermke 8  
32694 Dörentrup  
Germany

tel: +49 5265 9488-0  
fax: +49 5265 9488-11  
info@ah-meyer.de

Follow us:



\* on request