

NETBOX Flush



Built-in Socket NETBOX Flush

The **NETBOX Flush** offers you two module slots for customised configuration. Sockets in various country standards, USB chargers and multimedia connections expand the connection options in your furniture.

The built-in socket outlet is mounted in the furniture without tools using the proven latching mechanism and is available with a starter cable (country standards) or connection cable (GST 18/3).

Colours



bk wh

Frame / Module unit

bk

Housing

Mounting



Latching mechanism

Panel thickness: 3-40 mm

Material



Frame: Plastic

Module unit: Plastic

Application



Office



Hotel & Lounge



Conference

Suitable accessories



Network cable



Connection cable



Cable snake®



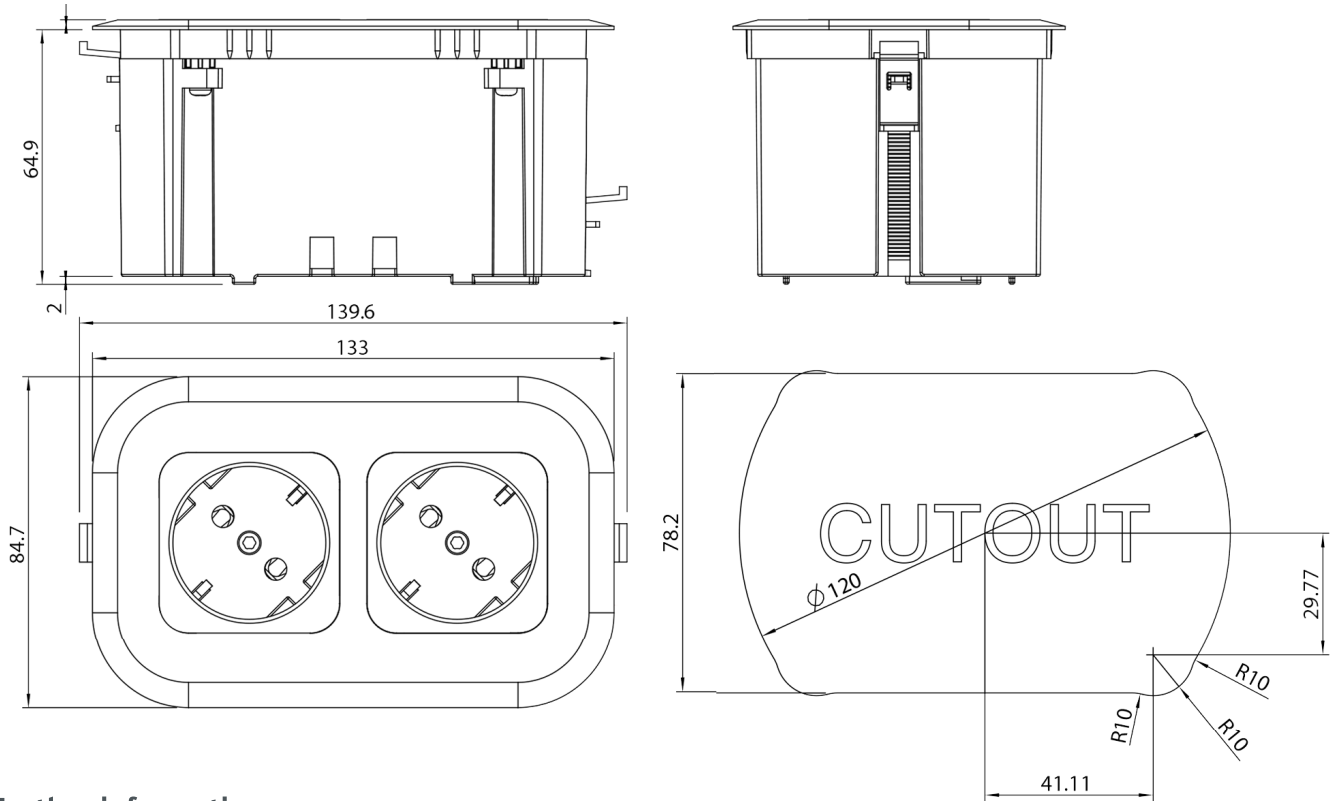
Velcro fabric tube

Approvals | Certificates



All available
Videos

Dimensions



Further information



3D data (STP) *



Dimensions (PDF) *



NETBOX Flush



Product request



pCon.update

Overview

	Aluminium	Plastic	Number of modules	Power modules	Data modules	Gender changer	Cover lockable	USB-charger	Cat 7-capable	Power forwarding possible (1) u. (2)
NETBOX Axial II Comf.	●		2 - 6	●	●	●	●	●	●	● ⁽²⁾
NETBOX Combi II	●		4	●	●	●	●	●	●	● ⁽¹⁾
NETBOX Entry	Steel		4 o. 6	●	●	●	●	●	●	
NETBOX Flush		●	2	●	●	●		●		●
NETBOX MEB		●	2 - 4	●	●	●		●	●	●
NETBOX Style	●		2 - 6	●	●	●		●	●	●
NETBOX Turn Comfort	●		2 - 6	●	●		●	●	●	● ⁽²⁾

1) Power forwarding is only possible if NO gender changer, USB, network or HDMI cables are fitted.

2) Power forwarding is only possible if NO gender changer, USB or HDMI cables are fitted.

A. & H. MEYER GmbH
Fermke 8
32694 Dörentrup
Germany

tel: +49 5265 9488-0
info@ah-meyer.de

* on request

Follow us:      