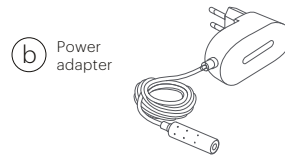
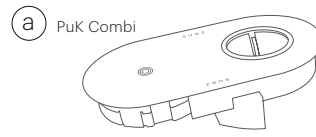


z e n s

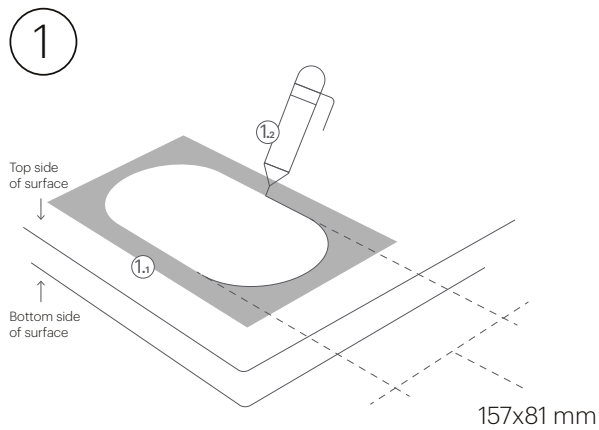
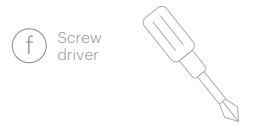
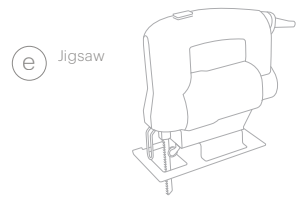
PuK Combi

Installation guide

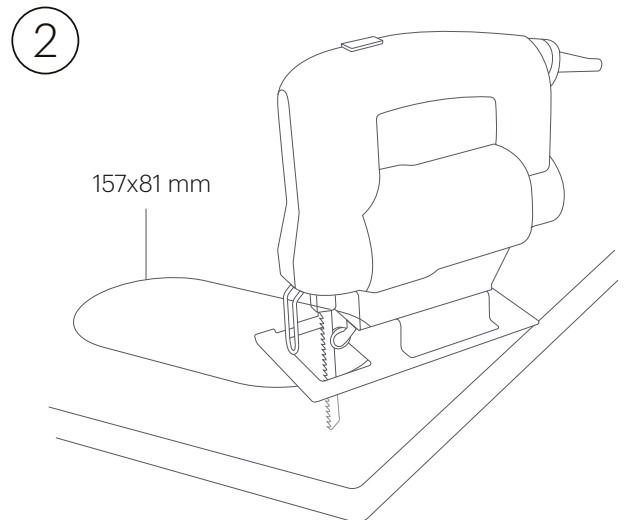
Included items



Required tools (not included)

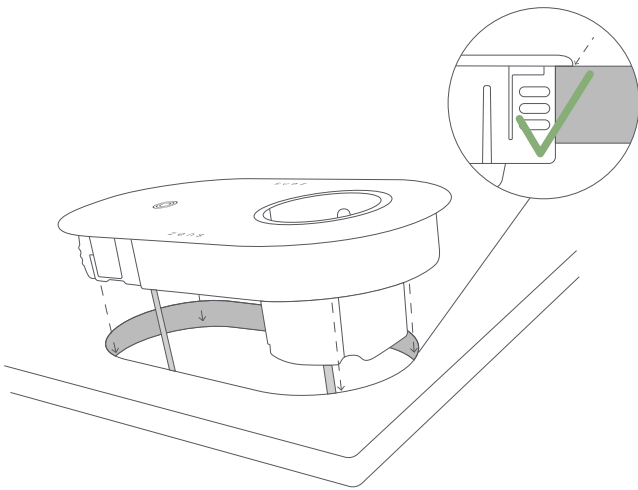


- 1.1 Position the mold on the top side of the surface.
- 1.2 Draw the shape to indicate the position of the PuK Combi.



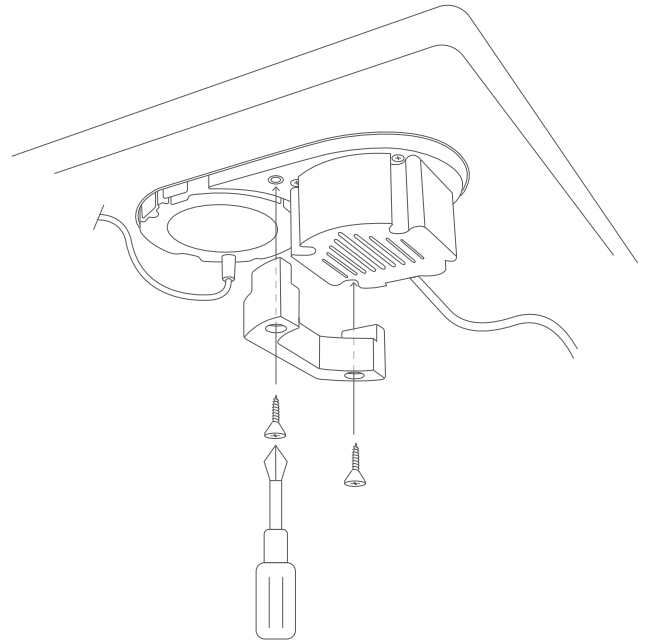
Use the jigsaw and follow the drawn lines to cut out the correct shape.

3



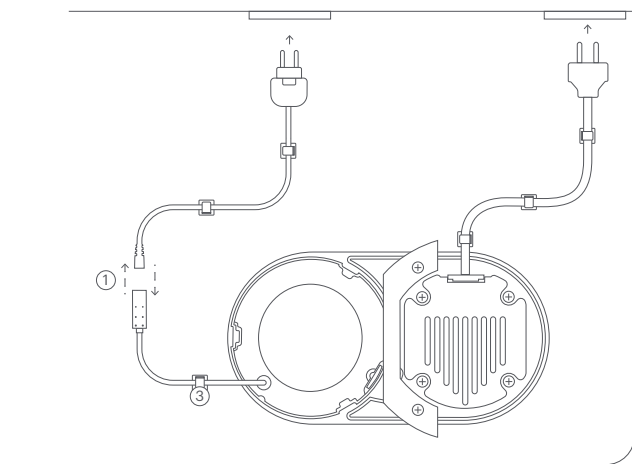
Insert the PuK Combi in the opening from above.
Important: leave no space between the product and the surface.

4



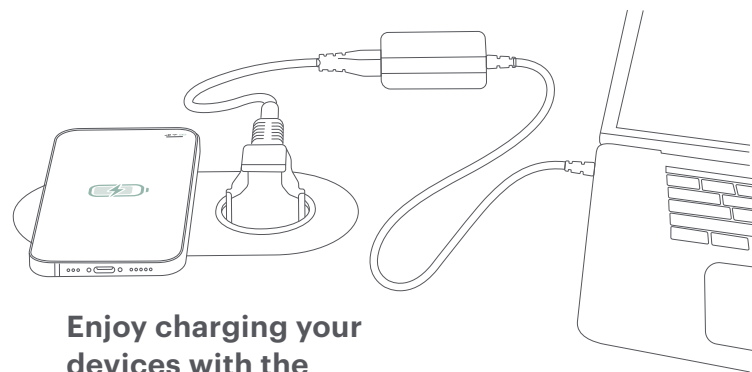
Use the two screws to fasten the bracket and secure the product.

5



- ① Connect the cable to the power adapter and plug it into the nearest power socket.
- ② Connect the shuko module to the nearest power socket.
- ③ Use the cable clips to neatly secure the cables on the bottom of the surface.

6



Enjoy charging your devices with the PuK Combi.