

NETBOX Axial II



**Built-in socket
NETBOX Axial II**

The built-in socket **NETBOX Axial II** will appear in a more elegant design due to the facelift. By redesigning all surfaces, a more coherent appearance is achieved compared to the predecessor

The **NETBOX Axial II** will fit into the cut-out size of its predecessor and is thus an enrichment for every office workplace.

The **NETBOX Axial II** will be available as a **Standard** and **Comfort** variant.

Colours



Mounting frame



Module unit

Mounting



Latching mechanism

Panel thickness: 10-50 mm

Material



Mounting frame:
Aluminium / Plastics

Module unit: Plastics

Application

- Office
- Conference

- Hotel & Lounge

Approvals | Certificates



Suitable accessories

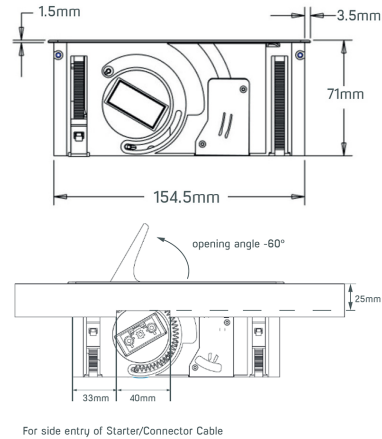
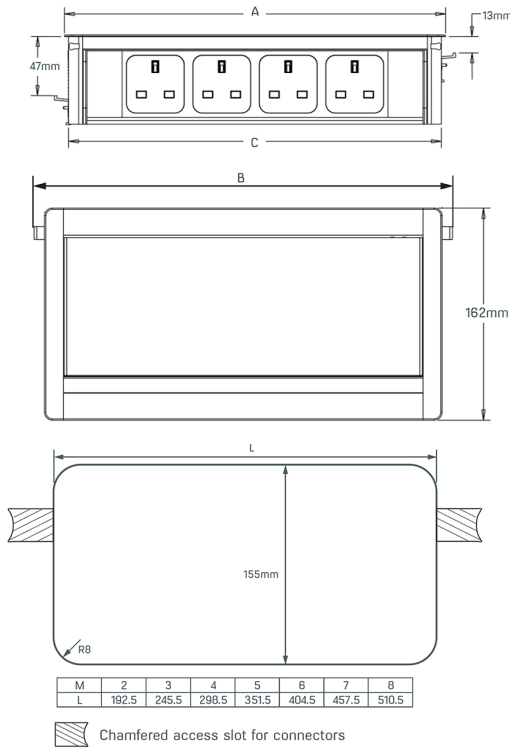
- USB cable
- Starter cable
- Connection cable
- Network cable



All available
Videos

*Special colours

Dimensions



M = Number of Module
*all measurements are in mm

M	A	B	C
2	198	214	191.3
3	251	267	244.3
4	304	320	297.3
5	357	373	350.3
6	410	426	403.3
7	463	479	456.3
8	516	532	509.3

Further information



3D data (STP)*



Dimensions (PDF)*



Product request



pCon.update

Overview

	Aluminium	Plastic	Number of modules	Power modules	Data modules	Gender changer	Cover lockable	USB-charger	Cat 7-capable	Power forwarding possible (1) u. (2)
NETBOX Axial Comfort	●		2 - 6	●	●	●	●	●	●	●(2)
NETBOX Combi II		●	4	●	●	●	●	●	●	●(1)
NETBOX Entry	Steel		4 o. 6	●	●	●	●	●	●	
NETBOX MEB		●	2 - 4	●	●	●		●	●	●
NETBOX Spot		●	1	●	Spot Data	Spot Data		●		
NETBOX Starfish		●	6	●	●			●		
NETBOX Style	●		2 - 6	●	●	●		●	●	●
NETBOX Turn Comfort	●		2 - 6	●	●		●	●	●	●(2)

(1) Power forwarding is only possible if NO gender changer, USB, VGA, network or HDMI cables are fitted.

(2) Power forwarding is only possible if NO gender changer, USB or HDMI cables are fitted.

A. & H. MEYER GmbH
Leuchten und Büroelektrik
Fermke 8
32694 Dörentrup
Germany

tel: +49 5265 9488-0
fax: +49 5265 9488-11
info@ah-meyer.de

* on request

Follow us: