

NETBOX EB



Built-in Socket NETBOX EB

NETBOX EB (3-gang): The power supply is provided via plug connectors, so starter- and connection cables of different lengths can be connected.

Using the plug-in connection system, reduces the amount of assembly work required significantly.

Colours



gr bk wh

Frame / Module unit

bk

Housing

Mounting



Screw

Panel thickness: max. 30 mm

Material



Frame: Plastic

Module unit: Plastic

Application

- Office
- Shop & Exhibition

Suitable accessories

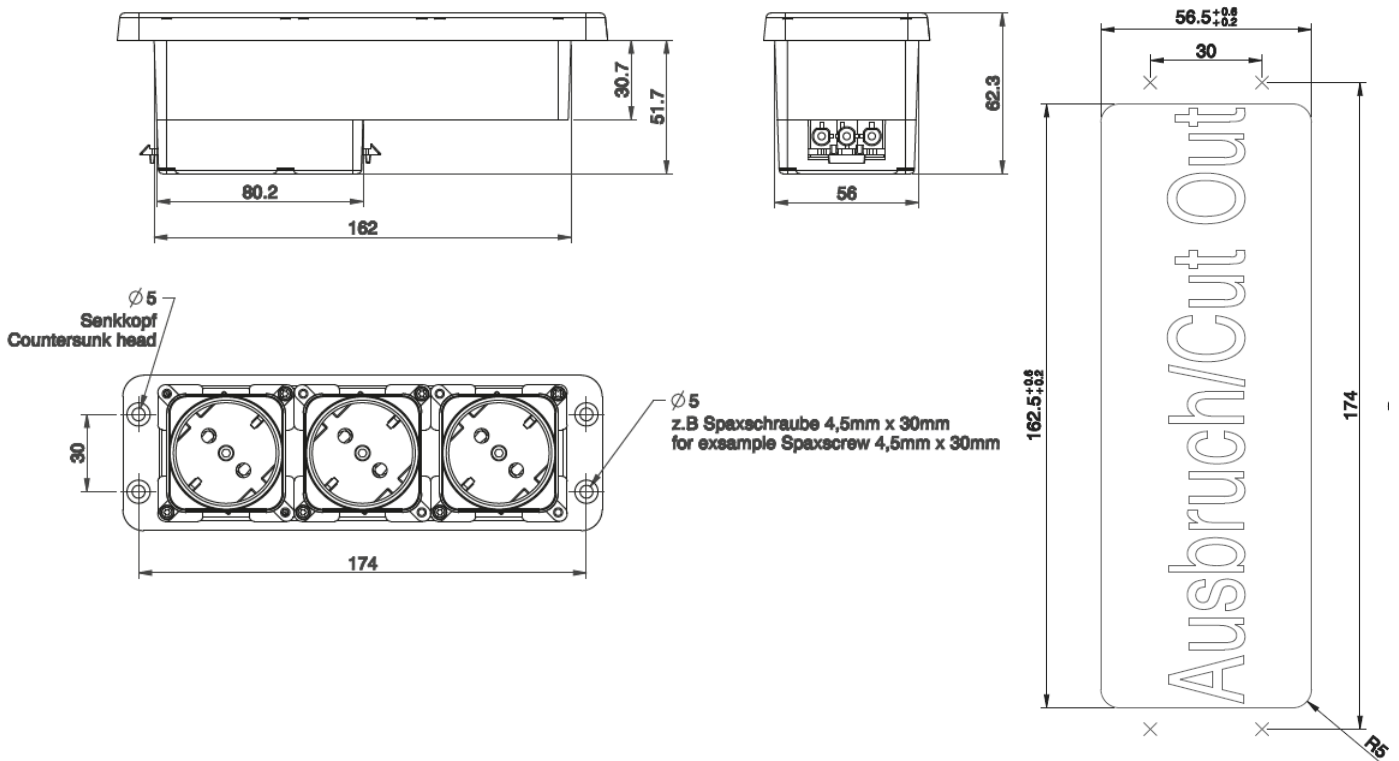
- Starter cable
- Connection cable
- Light Terminal Box VR

Approvals | Certificates



All available
Videos

Dimensions



Further information



3D data (STP)*



Dimensions (PDF)*



NETBOX EB



Product request



pCon.update

Overview

	Aluminium	Plastic	Number of modules	Power modules	Data modules	Gender changer	Cover lockable	USB-charger	Cat 7-capable	Power forwarding possible (1) u. (2)
NETBOX Axial Comfort	●		2 - 6	●	●	●	●	●	●	● ⁽²⁾
NETBOX Combi II	●		4	●	●	●	●	●	●	● ⁽¹⁾
NETBOX Entry	Steel		4 o. 6	●	●	●	●	●	●	
NETBOX MEB		●	2 - 4	●	●	●		●	●	●
NETBOX Spot		●	1	●	Spot Data	Spot Data		●		
NETBOX Style	●		2 - 6	●	●	●		●	●	●
NETBOX Turn Comfort	●		2 - 6	●	●		●	●	●	● ⁽²⁾

1) Power forwarding is only possible if NO gender changer, USB, network or HDMI cables are fitted.
 2) Power forwarding is only possible if NO gender changer, USB or HDMI cables are fitted.

A. & H. MEYER GmbH
 Leuchten und Büroelektrik
 Fermke 8
 32694 Dörentrup
 Germany

tel: +49 5265 9488-0
 fax: +49 5265 9488-11
 info@ah-meyer.de

* on request

