

## NETBOX MEB-K

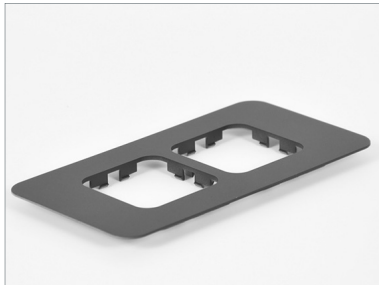


### Built-in Socket NETBOX MEB-K

The **NETBOX MEB-K** consists of a 2-way power socket, front panel and mounting frame.

This type of construction makes the **NETBOX MEB-K** ideal for use in upholstered furniture.

### Colours



bk

### Mounting



Depending on application

### Material



Plastic

### Application

-  Hotel & Lounge
-  Shop & Exhibition

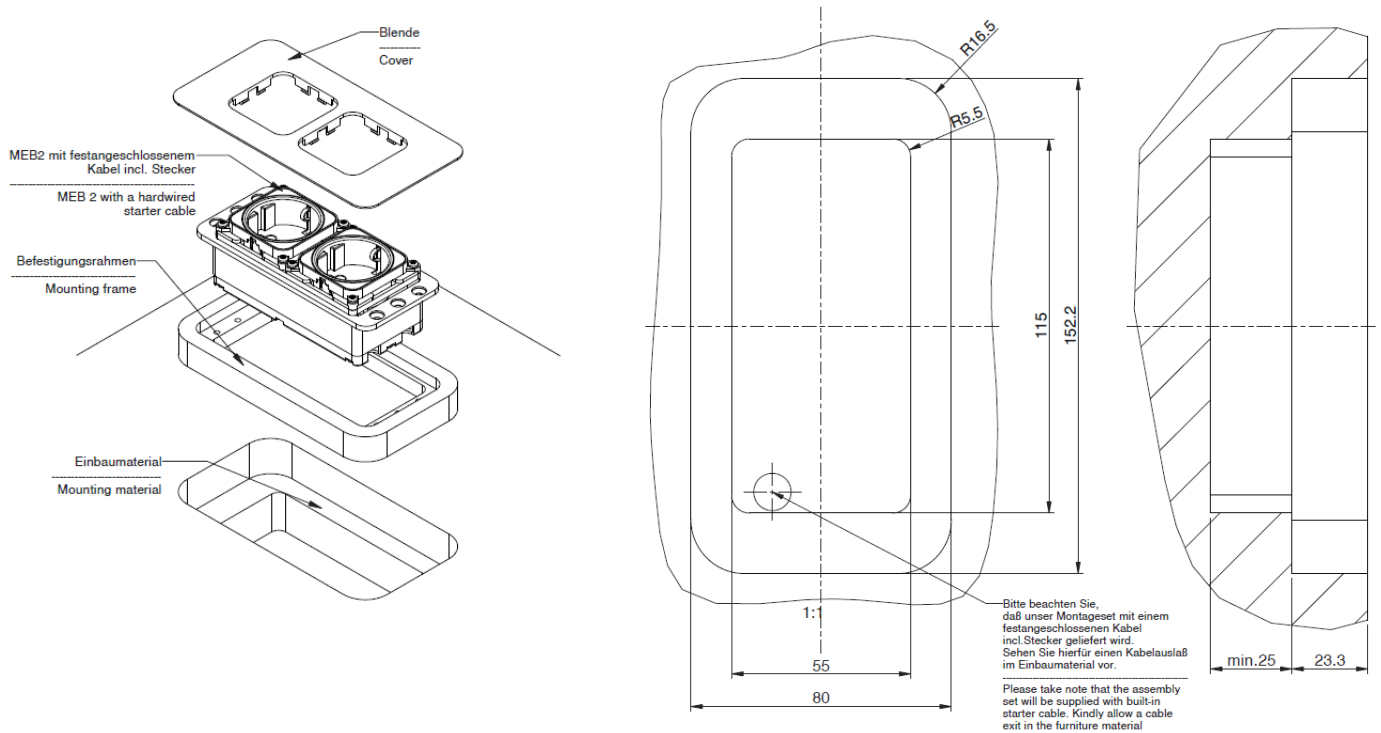
### Suitable accessories

-  USB cable



All available  
Videos

# Dimensions



## Further information



3D data (STP)\*



Dimensions (PDF)\*



NETBOX MEB-K



Product request



pCon.update

## Overview

	Aluminium	Plastic	Number of modules	Power modules	Data modules	Gender changer	Cover lockable	USB-charger	Cat 7-capable	Power forwarding possible (1) u. (2)
NETBOX Axial Comfort	●		2 - 6	●	●	●	●	●	●	● <sup>(2)</sup>
NETBOX Combi II		●	4	●	●	●	●	●	●	● <sup>(1)</sup>
NETBOX Entry	Steel		4 o. 6	●	●	●	●	●	●	
NETBOX MEB		●	2 - 4	●	●	●		●	●	●
NETBOX Spot		●	1	●	Spot Data	Spot Data		●		
NETBOX Style	●		2 - 6	●	●	●		●	●	●
NETBOX Turn Comfort	●		2 - 6	●	●		●	●	●	● <sup>(2)</sup>

1) Power forwarding is only possible if NO gender changer, USB, network or HDMI cables are fitted.

2) Power forwarding is only possible if NO gender changer, USB or HDMI cables are fitted.

A. & H. MEYER GmbH  
 Leuchten und Büroelektrik  
 Fermke 8  
 32694 Dörentrup  
 Germany

tel: +49 5265 9488-0  
 fax: +49 5265 9488-11  
 info@ah-meyer.de

\* on request

Follow us: