

# NETBOX Juke



## Desktop Socket NETBOX Juke

The **NETBOX Juke** is available in numerous colour combinations with a permanently connected cable.

A latching mechanism allows the **NETBOX Juke** to be mounted on the support plate very easily and without tools. If required, even overhead mounting is possible.

Two or three module slots can be configured with internationally approved power and USB charging modules (Smart-IC technology).

### Colours



Cover



Housing / Module

### Mounting



Adhesive | Clamp | Screw

### Material



Cover: Plastic

Housing: Plastic

Module unit: Plastic

### Application



Office



Kitchen



Conference

### Suitable accessories



USB cable



Cable snake®



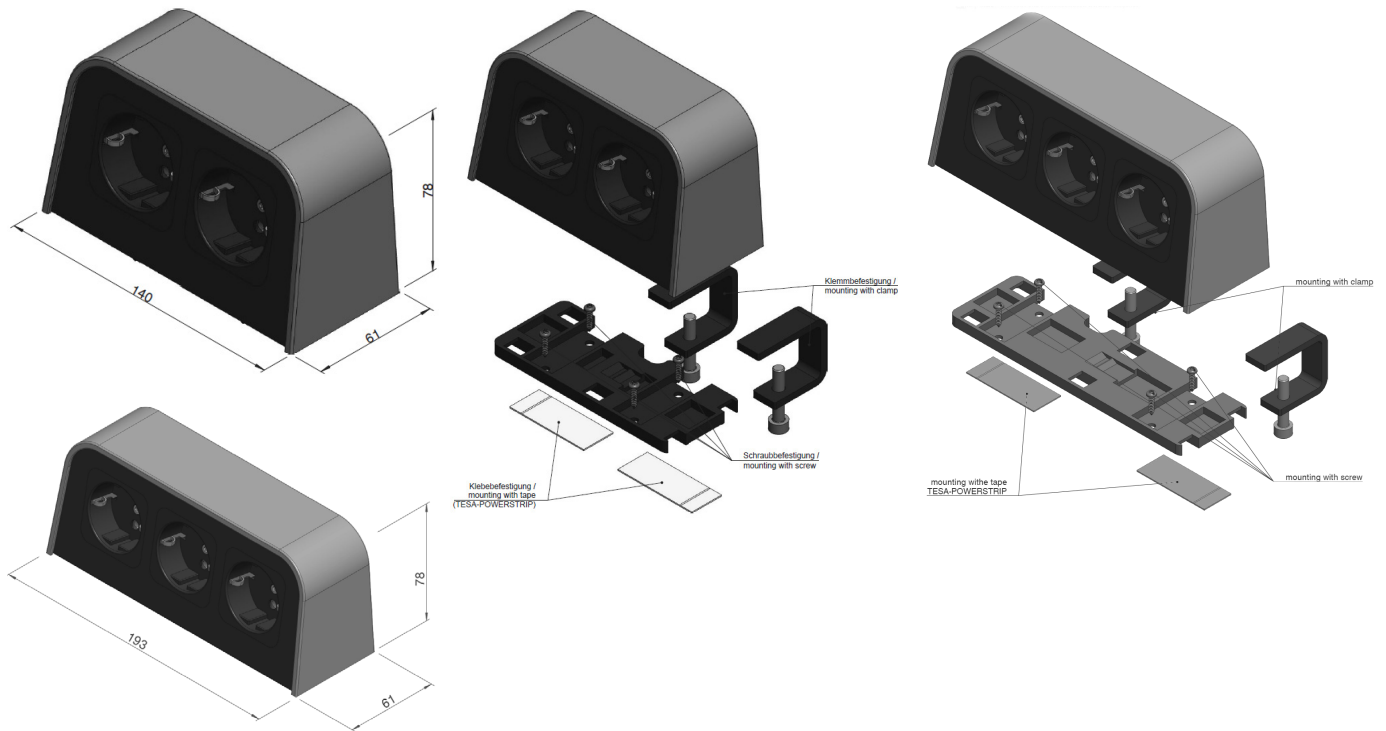
Velcro fabric tube

### Approvals | Certificates



NETBOX JUKE

## Dimensions



## Further information



3D data (STP) \*



Dimensions (PDF) \*



NETBOX Juke



Product request



pCon.update

## Overview

	Aluminium	Plastic	Number of modules	Power and data	Cat 6-capable	Cat 7-capable	Gender changer	USB-charger	Adhesive fastening	Clamp fastening	Screw fastening	Overhead mounting
NETBOX Focus	●		2 - 6	●	●	●	●	●	●	●	●	●
NETBOX Juke		●	2 - 3	Power				●	●	●	●	●
NETBOX Leaf+	●		2 - 6	●	●	●	●	●	●	●	●	●
NETBOX Point-T 60	Metal		1	●	●			●	●			
NETBOX Slim	●	●	2 - 6	●	●	●	●	●	●	●		
NETBOX Smart	●		2 - 6	●	●			●	●	●		

A. & H. MEYER GmbH  
 Leuchten und Büroelektrik  
 Fermke 8  
 32694 Dörentrup  
 Germany

tel: +49 5265 9488-0  
 fax: +49 5265 9488-11  
 info@ah-meyer.de

\* on request

Follow us:      