

NETBOX M



Power Strip NETBOX M

Our **NETBOX M** is used for power, multimedia and data transmission. The robust plastic housing is available with 2-5 modules.

With the help of the press-in nuts, the **NETBOX M** can be easily integrated into cable trays or cable ducts.

In addition, the lateral fixing lugs offer further and secure fastening options for use in partition wall systems, panels or even raised floors.

Colours



Mounting



Screw

Material






Plastic

Application

-  Office
-  Hotel & Lounge
-  Conference
-  Shop & Exhibition

Suitable accessories

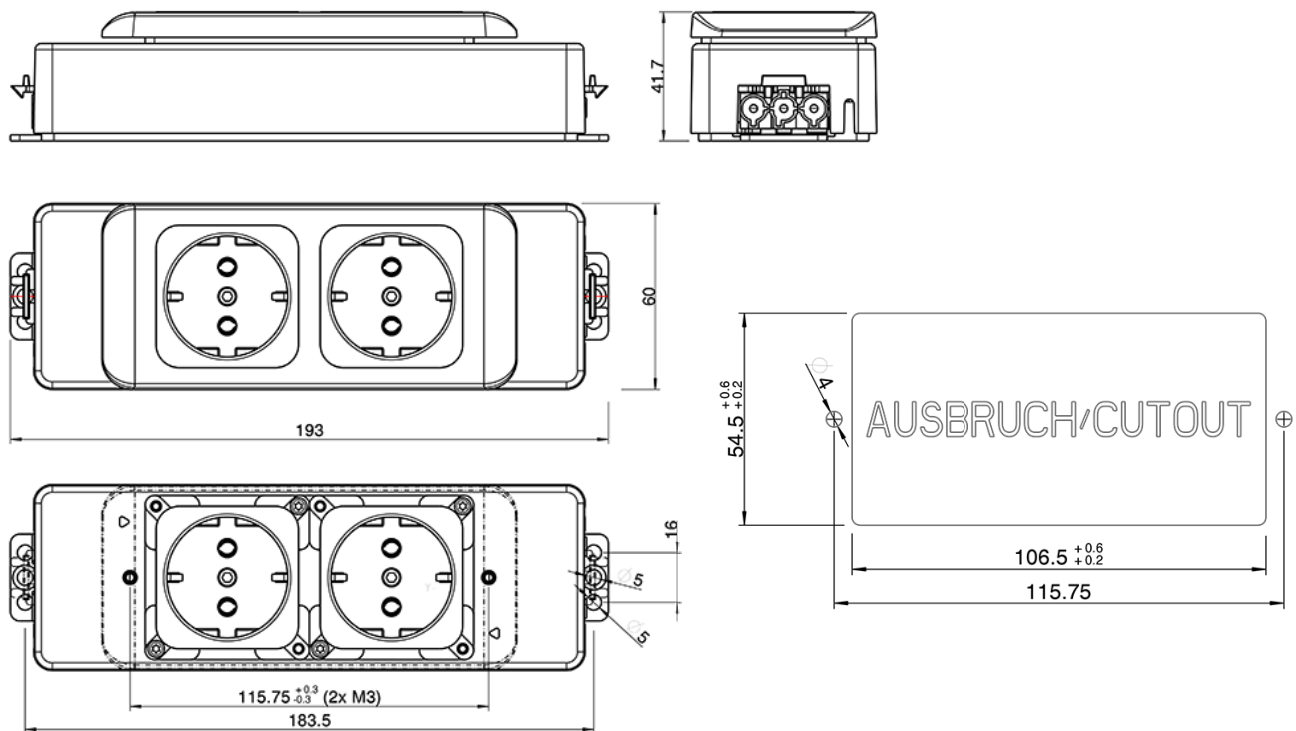
-  Starter cable
-  Connection cable
-  Velcro fabric tube

Approvals | Certificates



All available
Videos

Dimensions



Further information



3D data (STP) *



Dimensions (PDF) *



NETBOX M



Product request



pCon.update

Overview

	Aluminium	Plastic	Number of modules	Power modules	Data modules	Gender changer	USB-charger	Screw fastening	Cat 7-capable	Mounting in front panel possible	Removable Frame	Power forwarding possible (1) u. (2)
NETBOX M		●	2 - 5	●	●	●	●	●	●	●	●	● ⁽¹⁾
NETBOX MK		●	2, 3 o. 5	●	●	●	●	●	●	●	●	● ⁽¹⁾
NETBOX PB	●	●	1 - 35	●	●	●	●	●	●			●

(1) Power forwarding is only possible if NO gender changer, USB, network or HDMI cables are fitted.

A. & H. MEYER GmbH
Leuchten und Büroelektrik
Fermke 8
32694 Dörentrup
Germany

tel: +49 5265 9488-0
fax: +49 5265 9488-11
info@ah-meyer.de

* on request

Follow us:      