

NETBOX Combi II



Built-in Socket NETBOX Combi II

In addition to a spring-loaded cable outlet, the **NETBOX Combi II** also offers a spacious cable tray.

The high-quality surface and the possibility of closing the lid even when cables are plugged in guarantee an elegant and tidy table surface.

The four module spaces are equipped according to your needs - ideal for your application.

Colours



sil bk wh

Cable outlet

bk

Module unit

Mounting



Screw

Panel thickness: min. 15 mm

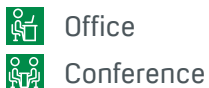
Material



Cable outlet:
Aluminium

Module unit:
Steel / Plastic

Application



Office

Conference

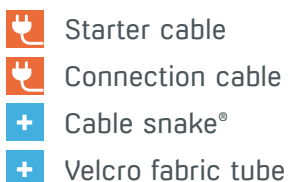


Hotel & Lounge

Approvals | Certificates

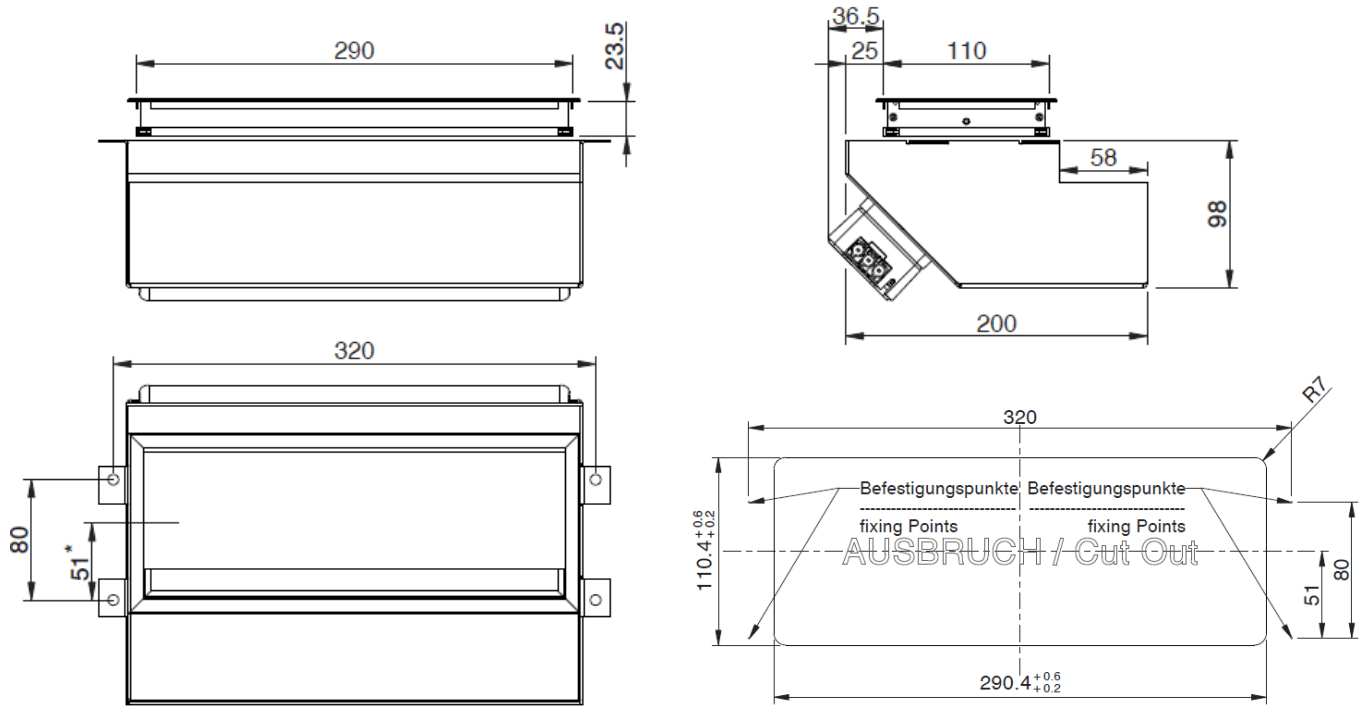


Suitable accessories



All available
Videos

Dimensions



Further information



3D data (STP) *



Dimensions (PDF) *



NETBOX Combi II



Product request



pCon.update

Overview

| | Aluminium | Plastic | Number of modules | Power modules | Data modules | Gender changer | Cover lockable | USB-charger | Cat 7-capable | Power forwarding possible (1) u. (2) |
|----------------------|-----------|---------|-------------------|---------------|--------------|----------------|----------------|-------------|---------------|--------------------------------------|
| NETBOX Axial Comfort | ● | | 2 - 6 | ● | ● | ● | ● | ● | ● | ● ⁽²⁾ |
| NETBOX Combi II | ● | | 4 | ● | ● | ● | ● | ● | ● | ● ⁽¹⁾ |
| NETBOX Entry | Steel | | 4 o. 6 | ● | ● | ● | ● | ● | ● | |
| NETBOX MEB | | ● | 2 - 4 | ● | ● | ● | | ● | ● | ● |
| NETBOX Spot | | ● | 1 | ● | Spot Data | Spot Data | | ● | | |
| NETBOX Style | ● | | 2 - 6 | ● | ● | ● | | ● | ● | ● |
| NETBOX Turn Comfort | ● | | 2 - 6 | ● | ● | | ● | ● | ● | ● ⁽²⁾ |

1) Power forwarding is only possible if NO gender changer, USB, network or HDMI cables are fitted.

2) Power forwarding is only possible if NO gender changer, USB or HDMI cables are fitted.

A. & H. MEYER GmbH
Leuchten und Büroelektrik
Fermke 8
32694 Dörentrup
Germany

tel: +49 5265 9488-0
fax: +49 5265 9488-11
info@ah-meyer.de

* on request

Follow us:      