

NETBOX MEB2 IP54

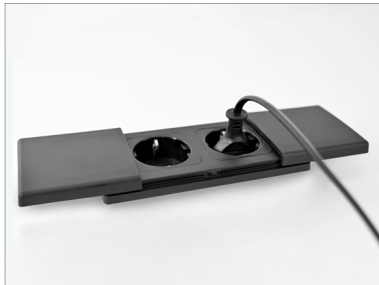


Built-in Socket NETBOX MEB2 IP54

The **NETBOX MEB2 IP54** built-in socket outlet with 2-part sliding cover for protection against splashing water - ideal for installation e.g. in the kitchen or in the laboratory.

The use of GST 18 plug connections significantly reduces the installation effort and a qualified electrician is not required. The low installation depth of 30 mm ensures a wide range of applications.

Colours



bk

Frame

bk

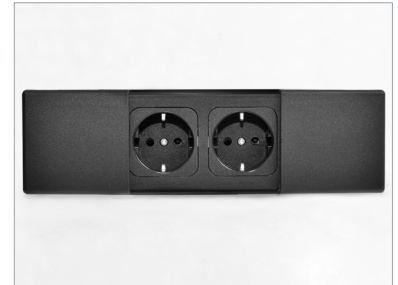
Module unit

Mounting



Screw

Material



Frame: Plastic

Module unit: Plastic




Application

 Kitchen

Approvals | Certificates



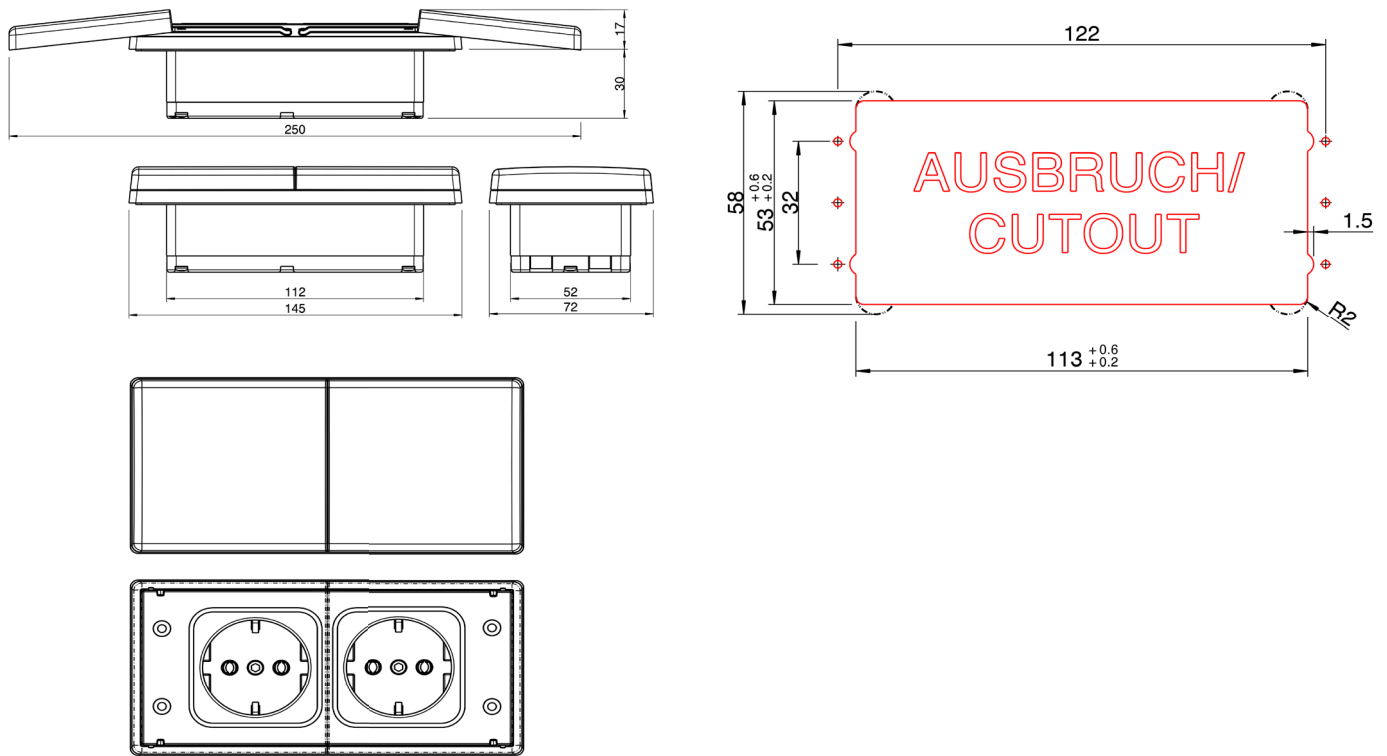
Suitable accessories

-  Starter cable
-  Connection cable
-  Light Terminal Box VR



All available
Videos

Dimensions



Further information



3D data (STP) *



Dimensions (PDF) *



NETBOX MEB2 IP54



Product request



pCon.update

Overview

	Aluminium	Plastic	Number of modules	Power modules	Data modules	Gender changer	Cover lockable	USB-charger	Cat 7-capable	Power forwarding possible (1) u. (2)
NETBOX Axial Comfort	●		2 - 6	●	●	●	●	●	●	● ⁽²⁾
NETBOX Combi II		●	4	●	●	●	●	●	●	● ⁽¹⁾
NETBOX Entry	Steel		4 o. 6	●	●	●	●	●	●	
NETBOX MEB		●	2 - 4	●	●	●		●	●	●
NETBOX Spot		●	1	●	Spot Data	Spot Data		●		
NETBOX Style	●		2 - 6	●	●	●		●	●	●
NETBOX Turn Comfort	●		2 - 6	●	●		●	●	●	● ⁽²⁾

1) Power forwarding is only possible if NO gender changer, USB, network or HDMI cables are fitted.

2) Power forwarding is only possible if NO gender changer, USB or HDMI cables are fitted.

A. & H. MEYER GmbH
Leuchten und Büroelektrik
Fermke 8
32694 Dörentrup
Germany

tel: +49 5265 9488-0
fax: +49 5265 9488-11
info@ah-meyer.de

* on request

Follow us:      