

NETBOX Line



Built-in Socket NETBOX Line

Optimum access to power, data and communication connections - elegantly solved with the NETBOX Line.

The high-quality aluminium profile impresses with its harmonious design and fits elegantly into a wide variety of furniture concepts.

The slightly raised design protects the modules and connections from liquids.

Colours



sil

Housing

bk

Module unit

Mounting



Latching mechanism

Panel thickness: 10-40 mm

Material



Housing:
Aluminium / Plastic

Module unit: Plastic

Application



Office



Hotel & Lounge



Conference

Approvals | Certificates



Suitable accessories



Cable snake®



Velcro fabric tube



Monitor mount

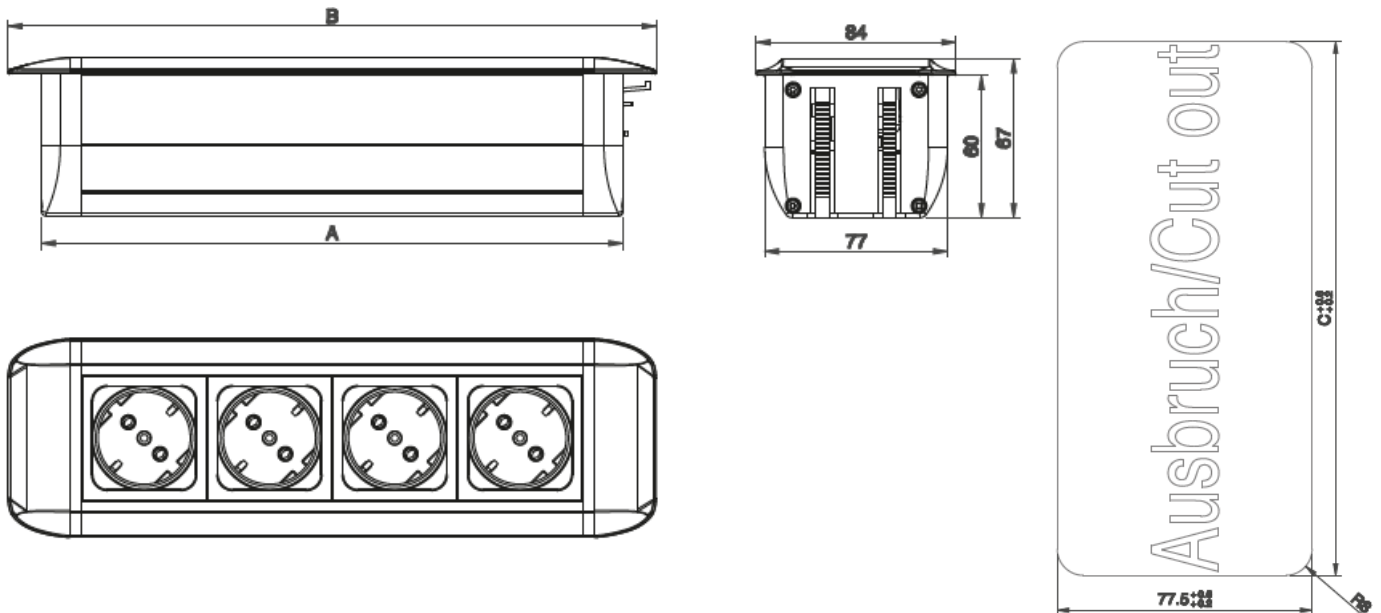


LapGuard



All available
Videos

Dimensions



Art.No.	2H_2...	2H_3...	2H_4...	2H_5...	2H_6...	2H_7...	2H_8...	2H_9...	2H_A...
M	2	3	4	5	6	7	8	9	10
A	140	193	246	299	352	405	458	511	564
B	168,2	221,2	274,2	327,2	380,2	433,2	486,2	539,2	592,2
C	140,5	193,5	246,5	299,5	352,5	405,5	458,5	511,5	564,5

= Product code
 = Quantity of outlet modules
 = Total length
 = Total length with mount
 = Length of cut out

Further information



3D data (STP)*



Dimensions (PDF)*



NETBOX Line



Product request



pCon.update

Overview

	Aluminium	Plastic	Number of modules	Power modules	Data modules	Gender changer	Cover lockable	USB-charger	Cat 7-capable	Power forwarding possible (1) u. (2)
NETBOX Axial Comfort	●		2 - 6	●	●	●	●	●	●	● ⁽²⁾
NETBOX Combi II		●	4	●	●	●	●	●	●	● ⁽¹⁾
NETBOX Entry	Steel		4 o. 6	●	●	●	●	●	●	
NETBOX MEB		●	2 - 4	●	●	●		●	●	●
NETBOX Spot		●	1	●	Spot Data	Spot Data		●		
NETBOX Style	●		2 - 6	●	●	●		●	●	●
NETBOX Turn Comfort	●		2 - 6	●	●		●	●	●	● ⁽²⁾

1) Power forwarding is only possible if NO gender changer, USB, network or HDMI cables are fitted.

2) Power forwarding is only possible if NO gender changer, USB or HDMI cables are fitted.

A. & H. MEYER GmbH
 Leuchten und Büroelektrik
 Fermke 8
 32694 Dörentrup
 Germany

tel: +49 5265 9488-0
 fax: +49 5265 9488-11
 info@ah-meyer.de

* on request

Follow us:

